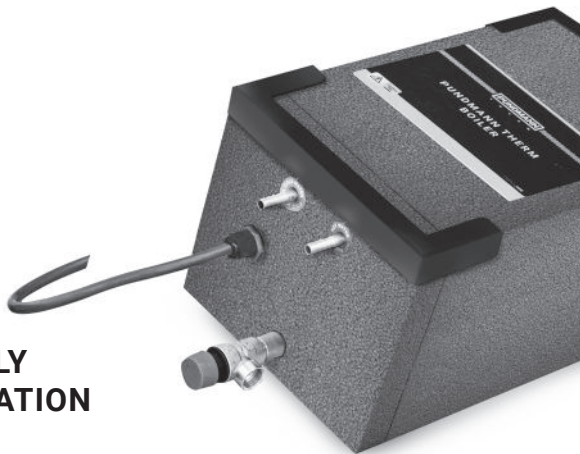




PUNDMANN



T H E R M



ASSEMBLY INSTALLATION AND INSTRUCTIONS FOR PUNDMANN THERM PRESSURE

Models

3L

6L

9L

3L/6L/9L- twin rod
models

Pundmann Off Grid water heaters have been developed to provide hot water independent of the electricity infrastructure.

EN

| | | |
|----|--|---|
| 1. | General information | 2 |
| 2. | Safety advice | 3 |
| 3. | Transport, packaging and storage | 3 |
| 4. | Technical data | 4 |
| 5. | Installation instructions | 5 |
| 6. | Warranty..... | 6 |
| 7. | Declaration of Conformity | 7 |

Contact:

Cmpny One Sp. z oo,
Bytomska 49,
42-674 Karchowice, Poland

info@protrailer.pl
www.protrailer24.pl

1. GENERAL INFORMATION

1.1 INFORMATION ON THE OPERATING MANUAL

These installation and operating instructions describe the assembly and use of the water heater and serve as an important source of information. Knowledge of all the safety information is a basic condition for safe and long-term use of the water heater.

Moreover, always follow the local accident prevention regulations and general safety regulations.

The user manual is part of the product and to be kept close to the water heater for useful reference..

1.2 EXPLANATION OF SYMBOLS

 **WARNING**

This symbol indicates that if these hints are not respected, it can lead to product damage, malfunctions and / or result in failure of the device.

 **DANGER**

This symbol indicates important safety risks and warnings, please pay particular attention.

 **NOTE**

This symbol highlights tips and information for trouble-free operation of the device.

1.3 LIABILITY AND WARRANTY

All information and instructions are in line with current regulations and our best technical knowledge. The producer cannot be held responsible for errors in translation. Minor modifications in the product may occur due to availability of components. If you have any questions, please contact the Manufacturer.

 **NOTE**

Please read this manual before using the water heater for the first time. The manufacturer takes no responsibility for damage and malfunctions resulting from not following the instructions. The instructions should always be kept near the water heater. We reserve the right to further develop the product.

1.4 DECLARATION OF CONFORMITY

Pundmann Therm is manufactured in accordance with European standards: EN13445: 2014; EN 60335-1; EN 60335-2-21; EN 55014; DVGW worksheet W270; Guidelines KTW.

2. SAFETY

Please keep yourself and your water heater safe when installing and using the unit. Follow the instructions carefully and take particular care working with electricity and your 12V or 24V battery. Please check and follow the symbols and markings on the unit.

2.1 GENERAL

The unit has been fully tested and is compliant with current safety regulations and guidelines. (see Declaration of conformity 1.4)
Do not make any changes to the water heater. Always seek professional advice from the manufacturer or a reputable trained installer. Always disconnect the unit from all power supplies before working on the unit. Do not connect the power supply until the unit is full of water. Switching on the unit when there is no water in the unit may cause the heater elements to burn out.

2.2 SAFETY INSTRUCTIONS WHEN USING THE WATER HEATER

The information and safety advice is in line with European Union regulations at the time the unit was designed and built.



DANGER

Hot water can cause severe burns and injury. To avoid injury ensure young people or those requiring assistance are supervised when using the tap.



NOTE

A thermostat controls the maximum temperature of the water to 70°C when heated exclusively by either the 12V, 24V or 230V heating elements.
We recommend the installation of a thermal mixing valve set at a below 40°C to ensure a

safe water temperature at the tap or outlet.

2.3 INTENDED USE

The unit is intended for the purpose of heating water for amenity use.
The water is not intended as drinking water.

2.4 LIABILITY

The manufacturer or their authorized representatives are not liable and do not accept claims for damage or injury arising from improper use or installation of the unit.
The user is liable for any damage or injury in the event of improper installation or use of the unit.

3. TRANSPORT, PACKAGING AND STORAGE

3.1 TRANSPORT INSPECTION

Please check the parcel for contents and damage immediately upon receipt.
In the event of externally visible transport damage the delivery should not be accepted or accepted under reservation only. Any damages must be noted on shipping documents / delivery note of the carrier.
Hidden damages must be reported immediately after recognizing them. Compensation claims can only be asserted within the complaint period.

3.2 PACKAGING

We recommend you retain your packaging until you have completed installation.
Please dispose of the packaging responsibly and recycle where possible.

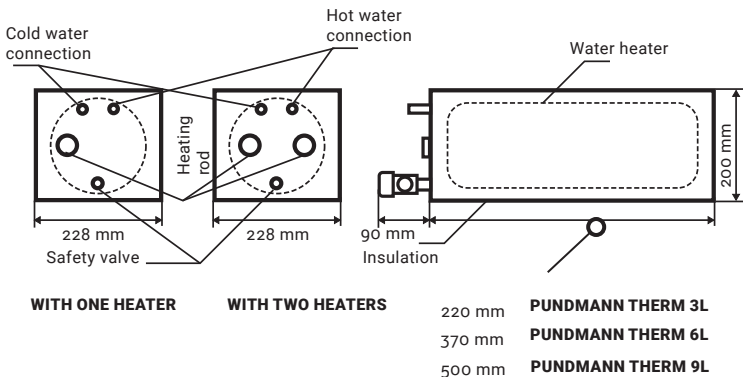


NOTE

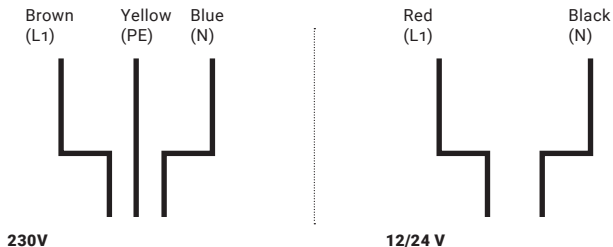
If you want to dispose of the packaging, please note the local regulations in your country. Please recycle packaging materials where possible.
Please check whether the device and the accessories are complete. If any parts are missing, please contact your seller.

4. TECHNICAL DATA

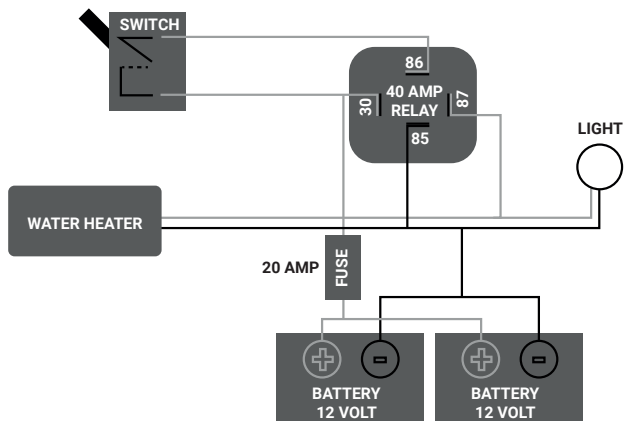
4.1 DIAGRAM OF THE WATER HEATER AND COMPONENTS



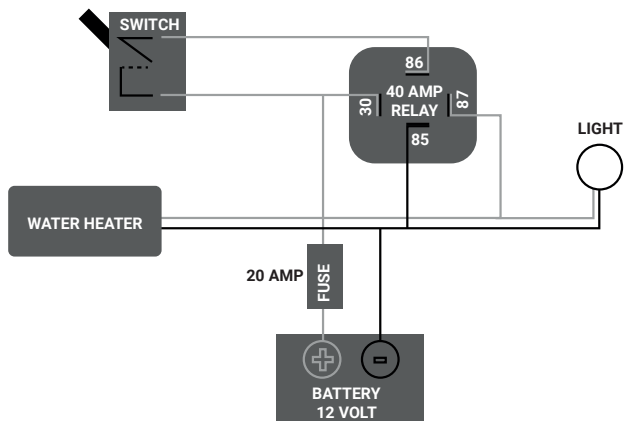
4.1_1 ELECTRICAL SCHEME



4.1_1_1 ELECTRICAL SCHEME 24V



4.1_1_1 ELECTRICAL SCHEME 12 V



4.2 TECHNICAL SPECIFICATIONS:

Power connection 230V, requires a 5amp fused plug

3 litre unit - options

12v – 180W heating element 15 A
230V – 250W heating element 2 A
24V – 400W heating element 17 A

6 litre unit - options

12V– 200W heating element 17 A
230V – 500W heating element 3 A
24V – 400W heating element 17 A

9.9 litre unit - options

12V– 200W heating element 17 A
230V – 500W heating element 3 A
24V – 400W heating element 17 A

- Operating pressure up to 2,3
- Water Heating time varies according to ambient water temperature and is approx. 50min - 120min
- Water connection 10mm hose tails
- Protective fixing bars and tie down straps

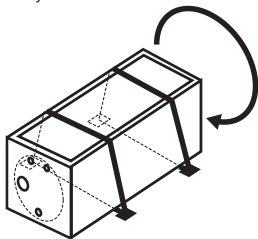
5. INSTALLATION INSTRUCTIONS

WARNING

Do not switch on any power to the empty water heater. Only switch on the power once the water heater is full of water.

5.1 POSITION

The water heater must always be mounted horizontally.



Fix in place positioning the retention brackets to the floor of your mounting, spaced so that the retaining straps are over the plastic right angle

bars to prevent damage to the insulation.

5.2 WATER

Fresh water shouldn't be pumped into the water heater at higher pressure than 2,3 bar. If necessary, the pressure can be reduced. The cold water inlet and warm water outlet have 10mm hose brass tails. Connect to the water supply and taps using suitable high quality food grade, reinforced 10mm internal diameter. We recommend the use of jubilee hose clips (size 8-16, 9mm) on all connections particularly as in moving vehicles connections can work loose.

WARNING

Scald or Burn hazard: The water inside the water heater reaches high temperatures. Do not touch the hot water in the water heater!

5.3 INITIAL USE

Once the hoses are connected the water pump can be started and the water heater can be filled with water. The Water heater is completely filled when water flows out of the from the hot water outlet and from your tap if connected.

NOTE

Please only use fresh water with the water heater. We recommend you change the water frequently

5.4 ELECTRIC HEATING FUNCTION

The applied heating rod heats water to a temperature of over 70° C and regulates automatically when this temperature is reached. Do not switch on the heating elements when empty only when the water heater is full of water. The heating elements have a range of technical parameters (see section 4.2 for details) When installing please ensure you use an appropriate

WARNING

Burn hazard! The heating rods can be dangerously hot. Touching the rods can lead to injuries!

5.5 EMPTYING

We recommend you drain the water from the water heater for storage or to winterise the unit. Before emptying, the water heater must be disconnected from the electrical circuit. The water heater is drained by manually opening the safety valve and opening a tap or shower tap so that

the water circuit in the water heater installation is open. Leave the safety valve open until it is restarted. You may need to remove a hose to allow air flow to release the water.

WARNING

To avoid frost damage it is essential to empty the unit. Frozen water can cause irreparable damage and is not covered by the warranty.

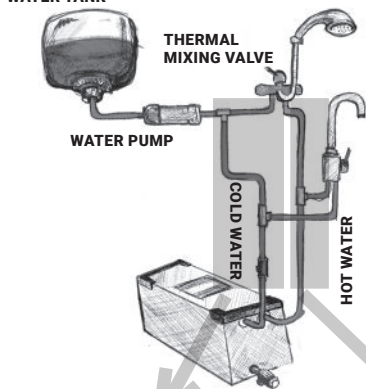
DANGER

Before emptying the water heater it must be disconnected from electricity!

5.6 WATER HEATER INSTALLATION AS A KIT

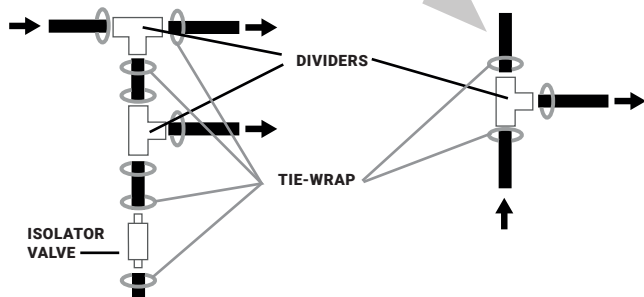
The water heater can be installed in a vehicle with Pundmann recommended components as a set. You will find tested components and accessories on the manufacturer's website www.protrailer.pl. The schematic structure of a water heater installation can be found on the drawing below.

WATER TANK



6. WARRANTY

The device has a 3 year manufacturer's return to base warranty, starting from the day of delivery. Damage caused by frost or calcification is excluded with warranty as well as the resulting damage from any modifications or user errors. In case of a warranty claim, the manufacturer will repair or replace the unit if returned within the warranty window, with proof of purchase. No further claims are accepted. Please see our web site for address and full process.



EU DECLARATION OF CONFORMITY

| | |
|--------------------|---|
| Pressure equipment | Warm water water heater 3I |
| Serial number | PTP/A/00001-PTP/A/09999, PTP/B/00001-PP/B/09999, PTP/C/00001-PTP/C/09999 |
| Year of production | 2023 |
| Drawing | 02-851000R-00 |
| Manufacturer | Cmpny One Sp. z o.o., 42-674 Karchowice, PL |

With this declaration of conformity the manufacturer declares

| | |
|---------------------------------|-------------------------|
| Object of declaration | Warm water water heater |
| Place | Coating |
| Max permitted pressure | 2,3 bar |
| Max/min allowed temperature TS: | 80 / 5 0C |
| Capacity | 3,0 l |
| Substance | Water |
| Fluidity | 2 |
| Test pressure | 4 bar |
| Test substance | Water |
| Hazard group | 2014/68/WE |

| | |
|--|--|
| The product described above in this declaration of conformity is compliant with the relevant requirements of EU legislation. | Directive of the European parliament and council 2014/68/EU Low-voltage directive 2006/95/WE Directive 2000/53/EC on end of life vehicles Council directive 98/83/EC on the quality of water intended for human consumption. Electromagnetic compatibility 2014/30/EU |
|--|--|

| | |
|---|--|
| Reference to relevant harmonized norms or other technical specifications for conformity | EN 13445;2014 EN 60335-1 EN 60335-2-21 EN 55014; Arkusz roboczy DVGW W270, wytyczne KTW |
|---|--|

CE

Signature of manufacturer



Karchowice, 02.01.2023

Place and date of declaration

EU DECLARATION OF CONFORMITY

| | |
|--------------------|---|
| Pressure equipment | Warm water water heater 6L |
| Serial number | PTP/D/00001-PTP/D/09999, PTP/E/00001-PP/E/09999, PTP/F/00001-PTP/F/09999 |
| Year of production | 2023 |
| Drawing | 03-851000R-00 |
| Manufacturer | Cmpny One Sp. z o.o., 42-674 Karchowice, PL |

With this declaration of conformity the manufacturer declares

| | |
|---------------------------------|----------------------------|
| Object of declaration | Warm water water heater 6l |
| Place | Coating |
| Max permitted pressure | 2,3 bar |
| Max/min allowed temperature TS: | 80 / 5 0C |
| Capacity | 6,0 l |
| Substance | Water |
| Fluidity | 2 |
| Test pressure | 4 bar |
| Test substance | Water |
| Hazard group | 2014/68/WE |

| | |
|--|---|
| The product described above in this declaration of conformity is compliant with the relevant requirements of EU legislation. | Directive of the European parliament and council 2014/68/EU Low-voltage directive 2006/95/WE Directive 2000/53/EC on end of life vehicles Council directive 98/83/EC on the quality of water intended for human consumption. Electromagnetic compatibility 2014/30/EU |
|--|---|

| | |
|---|---|
| Reference to relevant harmonized norms or other technical specifications for conformity | EN 13445;2014 EN 60335-1 EN 60335-2-21 EN 55014; Arkusz roboczy DVGW W270, wytyczne KTW |
|---|---|

CE

Signature of manufacturer



Karchowice, 02.01.2023

Place and date of declaration

EU DECLARATION OF CONFORMITY

| | |
|--------------------|--|
| Pressure equipment | Warm water water heater 9L |
| Serial number | PTP/F/00001-PTP/F/09999, PTP/G/00001-PTP/G/09999, PTP/H/00001-PTP/H/09999 |
| Year of production | 2023 |
| Drawing | 04-851000R-00 |
| Manufacturer | Cmpny One Sp. z o.o., 42-674 Karchowice, PL |

With this declaration of conformity the manufacturer declares

| | |
|---------------------------------|----------------------------|
| Object of declaration | Warm water water heater 9l |
| Place | Coating |
| Max permitted pressure | 2,3 bar |
| Max/min allowed temperature TS: | 80 / 5 0C |
| Capacity | 9,0 l |
| Substance | Water |
| Fluidity | 2 |
| Test pressure | 4 bar |
| Test substance | Water |
| Hazard group | 2014/68/WE |

The product described above in this declaration of conformity is compliant with the relevant requirements of EU legislation.

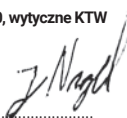
Directive of the European parliament and council 2014/68/EU
Low-voltage directive 2006/95/WE
Directive 2000/53/EC on end of life vehicles
Council directive 98/83/EC on the quality of water intended for human consumption.
Electromagnetic compatibility 2014/30/EU

Reference to relevant harmonized norms or other technical specifications for conformity

EN 13445;2014
EN 60335-1
EN 60335-2-21
EN 55014;
Arkusz roboczy DVGW W270, wytyczne KTW

CE

Signature of manufacturer



Karchowice, 02.01.2023

Place and date of declaration

EU DECLARATION OF CONFORMITY

| | |
|--------------------|---|
| Pressure equipment | Warm water water heater 3l (2 rod) |
| Serial number | PTP/D/00001-PTP/D/09999 , PTP/E/00001-PTP/E/09999 |
| Year of production | 2023 |
| Drawing | 02-851000R-00 |
| Manufacturer | Cmpny One Sp. z o.o., 42-674 Karchowice, PL |

With this declaration of conformity the manufacturer declares

| | |
|---------------------------------|-------------------------|
| Object of declaration | Warm water water heater |
| Place | Coating |
| Max permitted pressure | 2.3 bar |
| Max/min allowed temperature TS: | 80 / 5 0C |
| Capacity | 3,0 l |
| Substance | Water |
| Fluidity | 2 |
| Test pressure | 4 bar |
| Test substance | Water |
| Hazard group | 2014/68/WE |

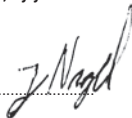
The product described above in this declaration of conformity is compliant with the relevant requirements of EU legislation.

Directive of the European parliament and council 2014/68/EU
Low-voltage directive 2006/95/WE
Directive 2000/53/EC on end of life vehicles
Council directive 98/83/EC on the quality of water intended for human consumption.
Electromagnetic compatibility 2014/30/EU

| | |
|---|---|
| Reference to relevant harmonized norms or other technical specifications for conformity | EN 13445;2014 EN 60335-1 EN 60335-2-21 EN 55014; Arkusz roboczy DVGW W270, wytyczne KTW |
|---|---|

CE

Signature of manufacturer



Karchowice, 02.01.2023

Place and date of declaration

EU DECLARATION OF CONFORMITY

| | |
|--------------------|---|
| Pressure equipment | Warm water water heater 6L (2 rod) |
| Serial number | PTP/I/00001-PTP/I/09999 , PTP/J/00001-PTP/J/09999 |
| Year of production | 2023 |
| Drawing | 03-851000R-00 |
| Manufacturer | Cmpny One Sp. z o.o., 42-674 Karchowice, PL |

With this declaration of conformity the manufacturer declares

| | |
|---------------------------------|----------------------------|
| Object of declaration | Warm water water heater 6l |
| Place | Coating |
| Max permitted pressure | 2.3 bar |
| Max/min allowed temperature TS: | 80 / 5 0C |
| Capacity | 6,0 l |
| Substance | Water |
| Fluidity | 2 |
| Test pressure | 4 bar |
| Test substance | Water |
| Hazard group | 2014/68/WE |

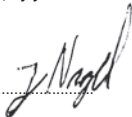
The product described above in this declaration of conformity is compliant with the relevant requirements of EU legislation.

Directive of the European parliament and council 2014/68/EU
Low-voltage directive 2006/95/WE
Directive 2000/53/EC on end of life vehicles
Council directive 98/83/EC on the quality of water intended for human consumption.
Electromagnetic compatibility 2014/30/EU

| | |
|---|---|
| Reference to relevant harmonized norms or other technical specifications for conformity | EN 13445;2014 EN 60335-1 EN 60335-2-21 EN 55014; Arkusz roboczy DVGW W270, wytyczne KTW |
|---|---|

CE

Signature of manufacturer



Karchowice, 02.01.2023

Place and date of declaration

EU DECLARATION OF CONFORMITY

| | |
|--------------------|---|
| Pressure equipment | Warm water water heater 9L (2 rod) |
| Serial number | PTP/N/00001-PTP/N/09999 , PTP/O/00001-PTP/O/09999 |
| Year of production | 2023 |
| Drawing | 04-851000R-00 |
| Manufacturer | Cmpny One Sp. z o.o., 42-674 Karchowice, PL |

With this declaration of conformity the manufacturer declares

| | |
|---------------------------------|----------------------------|
| Object of declaration | Warm water water heater 9l |
| Place | Coating |
| Max permitted pressure | 2.3 bar |
| Max/min allowed temperature TS: | 80 / 5 0C |
| Capacity | 9,0 l |
| Substance | Water |
| Fluidity | 2 |
| Test pressure | 4 bar |
| Test substance | Water |
| Hazard group | 2014/68/WE |

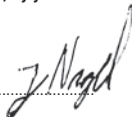
The product described above in this declaration of conformity is compliant with the relevant requirements of EU legislation.

Directive of the European parliament and council 2014/68/EU
Low-voltage directive 2006/95/WE
Directive 2000/53/EC on end of life vehicles
Council directive 98/83/EC on the quality of water intended for human consumption.
Electromagnetic compatibility 2014/30/EU

| | |
|---|---|
| Reference to relevant harmonized norms or other technical specifications for conformity | EN 13445;2014 EN 60335-1 EN 60335-2-21 EN 55014; Arkusz roboczy DVGW W270, wytyczne KTW |
|---|---|

CE

Signature of manufacturer



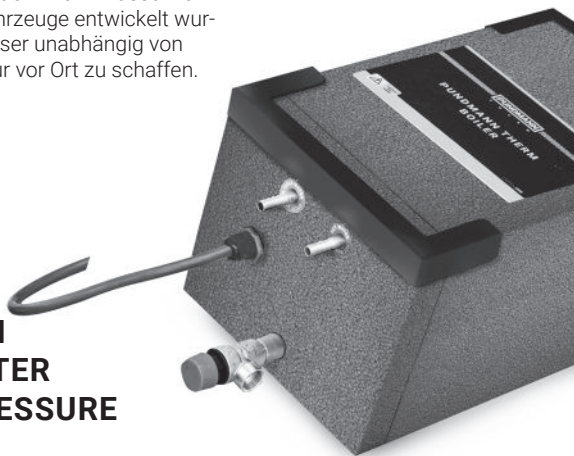
Karchowice, 02.01.2023

Place and date of declaration



T H E R M

Pundmann Therm ist ein Warmwasserwater heater der für Fahrzeuge entwickelt wurde, um warmes Wasser unabhängig von der Strominfrastruktur vor Ort zu schaffen.



PUNDMANN THERM WATER HEATER PRESSURE

Models

3L

6L

9L

3L/6L/9L-- mit
zwei Heizstäben

| | | |
|----|--|----|
| 1. | Allgemeines..... | 11 |
| 2. | Sicherheit | 12 |
| 3. | Transport, Verpackung und Lagerung | 12 |
| 4. | Technische Daten | 13 |
| 5. | Montageanleitung..... | 14 |
| 6. | Garantie..... | 15 |
| 7. | Konformitätserklärung..... | 16 |

Kontakt:

Vertretung des Herstellers im deutschsprachigen Raum:

Cmpny One GmbH
Oberdorf 16,
02829 Schöpstal,
info@pundmann.de
www.pundmann.de

Hersteller Cmpny One Sp. z o.o.,
Bytomska 49,
42-674 Karchowice, Polen

1. ALLGEMEINES

1.1 INFORMATIONEN ZUR BEDIENUNGSANLEITUNG

Diese Montage- und Gebrauchsanleitung beschreibt die Montage und Nutzung des Water heaters und dient als wichtige Informationsquelle. Die Kenntnis aller in ihr enthaltenen Sicherheitshinweise schafft die Voraussetzung für die sichere und langjährige Nutzung des Water heaters. Darüber hinaus sind die für den Einsatzbereich des Gerätes geltenden örtlichen Unfallverhütungsvorschriften und allgemeinen Sicherheitsbestimmungen einzuhalten. Die Bedienungsanleitung ist Produktbestandteil und in unmittelbarer Nähe des Water heaters aufzubewahren.

1.2 SYMBOLERKLÄRUNG

WARNUNG

Dieses Symbol kennzeichnet Hinweise, deren Nichtbeachtung Beschädigung, Fehlfunktionen und/oder Ausfall des Gerätes zur Folge haben kann.

ACHTUNG

Dieses Symbol weist auf mögliche Probleme hin, daher ist Aufmerksamkeit geboten.

HINWEIS

Dieses Symbol hebt Tipps und Informationen hervor, die für eine effiziente und störungsfreie Bedienung des Gerätes zu beachten sind.

1.3 HAFTUNG UND GEWÄHRLEISTUNG

Alle Angaben und Hinweise in dieser Bedienungsanleitung wurden unter Berücksichtigung der geltenden Vorschriften und nach bestem Fachwissen zusammengestellt. Für eventuelle Übersetzungsfehler der Anleitung kann der Hersteller keine Gewähr übernehmen. Bei Sonderversionen, besonderen Bestelloptionen oder durch Knappheit von Baukomponenten am Markt kann der Lieferumfang sich unterscheiden oder von der Zeichnung abweichen. Bei eventuellen Fragen bitten wir um Kontakt an den Hersteller.



HINWEIS

Diese Anleitung sollte vor erster Nutzung des Boiler durchgelesen werden! Für Schäden und Störungen, die sich aus der Nichtbeachtung der Anleitung ergeben, übernimmt der Hersteller keine Haftung. Die Anleitung sollte sich immer in der Nähe des Boiler befinden. Technische Änderungen am Produkt im Rahmen der Verbesserung der Gebrauchseigenschaften und der Weiterentwicklung behält sicher der Hersteller vor.

1.4 KONFORMITÄTSERKLÄRUNG

Pundmann Therm ist hergestellt gemäß der europäischen Normen: EN 13445: 2014; EN 60335-1; EN 60335-2-21 ; EN 55014; Arbeitsblatt DVGW W270; Richtlinien KTW.

2. SICHERHEIT

Dieser Abschnitt gibt einen Überblick über Sicherheitsaspekte. Darüber hinaus sind eventuelle Zeichen und Symbole am Gerät selbst zu beachten. So schützen Sie sich und das Gerät.

2.1 ALLGEMEINES

Das Gerät ist nach aktuellen Sicherheitsvorgaben und -richtlinien gefertigt. Von Änderungen am Gerät durch den Nutzer ist abzusehen!

2.2 SICHERHEITSHINWEISE FÜR DEN BOILER

Die Angaben zur Sicherheit im Umgang mit dem Boiler beziehen sich auf die zum Zeitpunkt der Herstellung des Gerätes gültigen Verordnungen der Europäischen Union.



ACHTUNG

Der Boiler darf nicht durch Menschen mit eingeschränkten Fähigkeiten oder Kinder montiert werden!
Die Anleitung sollte vor der Montage gelesen werden.

2.3 VERWENDUNGSZWECK

Der Boiler ist ausschließlich zum Erhitzen von Warmwasser bestimmt



ACHTUNG

Jede von der ordnungsgemäßen Verwendung abweichende Nutzung des Boiler ist nicht zulässig. Ansprüche jeglicher Art gegen den Hersteller und/oder seine Bevollmächtigten wegen Schäden aus nicht ordnungsgemäßer Verwendung des Gerätes sind ausgeschlossen. Für alle Schäden bei nicht ordnungsgemäßer Verwendung haftet allein der Betreiber.

3. TRANSPORT, VERPACKUNG UND LAGERUNG

3.1 TRANSPORTPRÜFUNG

Lieferungen sind nach Erhalt unverzüglich auf Vollständigkeit und Transportschäden zu prüfen. Bei äußerlich erkennbarem Transportschaden darf die Lieferung nicht oder nur unter Vorbehalt entgegengenommen werden. Schadensumfang auf Transportunterlagen Lieferschein des Transporteurs vermerken. Reklamation einleiten. Verdeckte Mängel sofort nach Erkennen reklamieren, da Schadensersatzansprüche nur innerhalb der geltenden Reklamationsfristen geltend gemacht werden können.

3.2 VERPACKUNG

Werfen Sie den Umkarton Ihres Geräts nicht weg. Sie benötigen ihn eventuell zur Aufbewahrung, oder wenn Sie das Gerät bei eventuellen Schäden an unser Werk senden müssen.

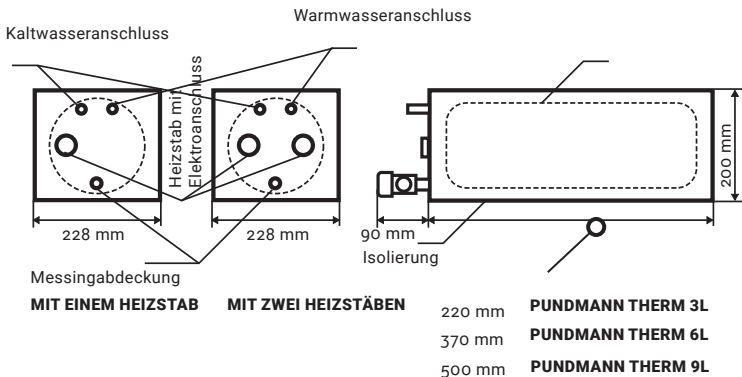


HINWEIS

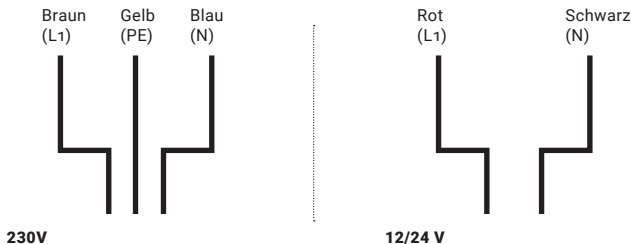
Falls Sie die Verpackung entsorgen möchten, beachten Sie die in Ihrem Land geltenden Vorschriften. Recyclen Sie wiederverwertbare Verpackungsmaterialien. Bitte prüfen Sie, ob das Gerät und das Zubehör vollständig sind. Falls irgendwelche Teile fehlen sollten, nehmen Sie bitte mit Ihrem Verkäufer Kontakt auf.

4. TECHNISCHE DATEN

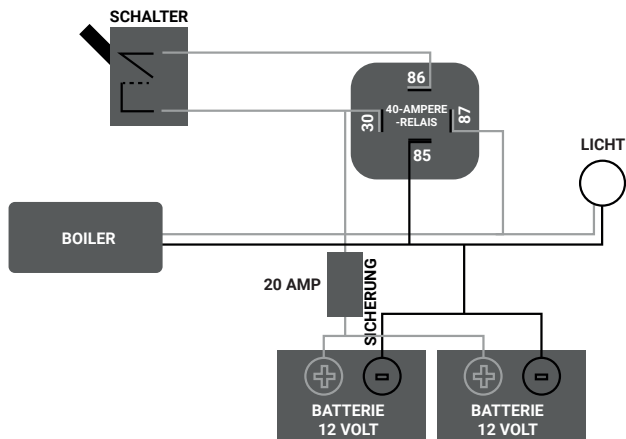
4.1_1 DARSTELLUNG BOILER PUNDMANN THERM BOILER



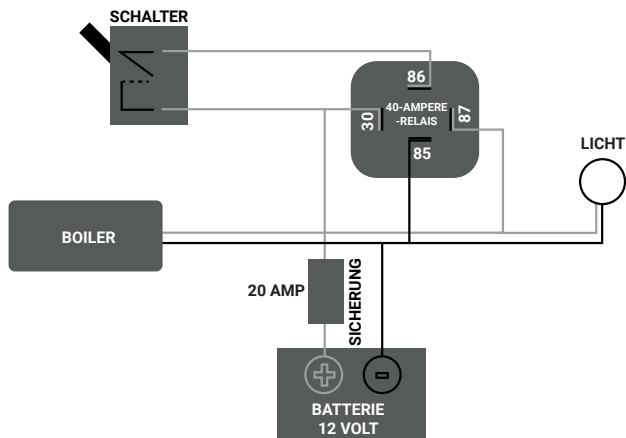
4.1_1 ELEKTROSCHEMA



4.1.1_1 ELEKTROSCHEMA 24V



4.1.1_1 ELEKTROSCHEMA 12 V



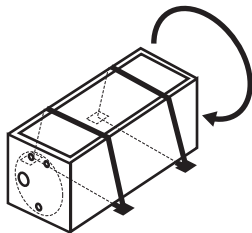
4.2 TECHNISCHE SPEZIFIKATIONEN:

- 3l, 6l, 9,9l - Warmwasserboiler (Pressure)
- Parameter 230V, 24V, und 12V
- Aufheizzeit ca. 50min - 120min
- Boilerbefestigung mit Rahmen und Schnellverschlussystem

5. MONTAGEANLEITUNG

5.1 POSITION

Der Boiler muss stets waagrecht befestigt werden, in keiner anderen Position.



5.2 WASSER

Das Sicherheitsventil, zum Entweichen eventuellen Überdrucks, ist zwingend erforderlich. Jeder Boiler hat ein entsprechendes Ventil verbaut. An diesem Ventil kann ein Schlauch befestigt werden um entweichendes Wasser entsprechend abzuleiten. Das Ventil hat einen Druckschutz von 3 bar oder ähnlich.

Das Frischwasser sollte nicht mit einem höheren Druck als 2,3 bar in den Boiler gepumpt werden. Gegebenenfalls muss dieser Druck reduziert werden. Einen entsprechenden Druckminderer kann beim Hersteller erworben werden.

Das Schlauchanschlüsse sollten einen Innendurchmesser von 10mm haben und qualitativ hochwertig sein.

WARNUNG

Gefahr durch Verbrennung: das im Boiler befindliche Wasser erreicht durch die Stromheizfunktion sehr hohe Temperaturen und es besteht Verbrennungsgefahr! Berühren Sie das erhitzte Wasser nicht.

5.3 ERSTNUTZUNG

Sobald die Schläuche angeschlossen sind und das Ventil überprüft wurde, kann die Wasserpumpe gestartet und der Boiler mit Wasser gefüllt werden. Der Warmwasserbereiter ist vollständig gefüllt, wenn Wasser aus dem Warmwasserauslass und aus Ihrem Wasserhahn (falls angeschlossen) fließt.

HINWEIS

Der Boiler darf nur mit Trinkwasser betrieben werden!

5.4 STROMHEIZFUNKTION

Der verbaute Heizstab erhitzt das Wasser auf über 70°C und regelt automatisch bei Erreichen der Temperatur ab. Nutzen Sie die Heizstabfunktion ausschließlich bei gefülltem Boiler. Der Heizstab hat die technischen Parameter 230V-500W, 24V-400W, 12V-200W in den Standardausführungen.

WARNUNG

Gefahr durch Hitze!
Der Heizstab entwickelt Hitze, die bei Berührung zu Verletzungen führen kann!

5.5 ENTLERUNG

Wir empfehlen Ihnen, das Wasser aus dem das Wasser aus dem Warmwasserbereiter abzulassen, um ihn zu lagern oder zu überwintern. Vor dem Entleeren muss der Heizkessel vom Stromkreislauf getrennt werden. Die Entleerung des Boilers erfolgt durch manuelles Öffnen des Sicherheitsventils zur Druckentlastung und Öffnen eines Wasserhahns oder einer Duscharmatur, so dass der Wasserkreislauf in der Boileranlage offen ist. Lassen Sie das Sicherheitsventil bis zur Wiederinbetriebnahme geöffnet. Möglicherweise müssen Sie einen Schlauch entfernen, damit das Wasser abfließen kann.

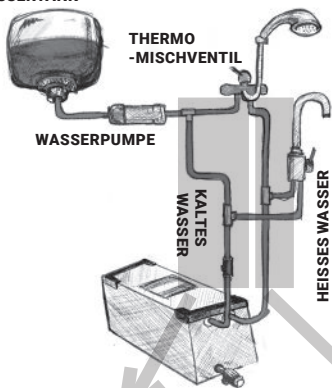
ACHTUNG

Wasser kann bei Frost den Boiler irreparabel zerstören. Der Hersteller übernimmt keine Garantie oder Haftung für Frostschäden!

ACHTUNG

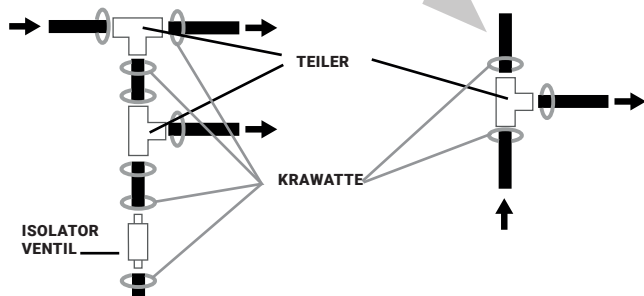
Der Boiler muss vor der Entleerung unbedingt vom Stromnetz getrennt werden!

WASSERTANK



6. GARANTIE

Das Gerät hat 2 Jahre Herstellergarantie auf Produktmängel, gerechnet ab dem Tag der Lieferung. Jegliche Frost- oder Verkalkungsschäden sind hiervon ausgeschlossen sowie Schäden, die durch Veränderungen am Gerät und Nutzerfehler entstehen. Bei Garantie leistet der Hersteller Nachbesserung, allerdings nur, wenn der Schaden unmittelbar gemeldet wird und die zur Garantieabwicklung angeforderten Dokumente, Reklamationsbeleg etc ausgefüllt werden und die Abwicklung mit dem Hersteller abgesprochen ist. Sonstige Ansprüche existieren nicht.



EU KONFORMITÄTSERKLÄRUNG

| | |
|-----------------|---|
| Druckgerät | Wassererwärmer |
| Seriennummer | PTP/A/00001-PTP/A/09999, PTP/B/00001-PP/B/09999, PTP/C/00001-PTP/C/09999 |
| Produktionsjahr | 2023 |
| Zeichnung | 02-851000R-00 |
| Hersteller | Cmpny One Sp. z o.o., 42-674 Karchowice, PL |

Mit dieser Konformitätserklärung erklärt der Hersteller

| | |
|---------------------------------|---|
| Gegenstand der Deklaration | Warmwassererwärmer |
| Ort | Ummantelung |
| Max. erlaubter Druck PS | 2,3 bar |
| Max./min erlaubte Temperatur TS | 80 / 5 °C |
| Kapazität | 3.0 l |
| Substanz | Wasser |
| Flüssigkeitsgruppe | 2 |
| Prüfdruck PT | 4 bar |
| Prüfsubstanz | Wasser |
| Gefahrengruppe | Nicht relevant Art. 4. 3 gem 2014/68/EU |

Das oben beschriebene Produkt ist nach folgenden Direktiven hergestellt

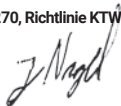
Richtlinie des europäischen Parlaments und Rates
2014/68/UE Niederspannungsrichtlinie 2006/95 / WE
Richtlinie über Altfahrzeuge 2000/53 / WE

Trinkwasserrichtlinie 98/83 / WE
Elektromagnetische Verträglichkeit 2014/130 / UE
(Kennzeichnungspflicht CE)

Verweis auf relevante harmonisierte Normen oder auf andere, technische Spezifikationen für die Konformität erklärt wird

EN 13445;2014
EN 60335-1
EN 60335-2-21
EN 55014;
Arbeitsblatt DVGW W270, Richtlinie KTW

CE



Unterschrift für den Hersteller

Karchowice, 02.01.2023

.....

EU KONFORMITÄTSERKLÄRUNG

| | |
|-----------------|---|
| Druckgerät | Wassererwärmer |
| Seriennummer | PTP/D/00001-PTP/D/09999, PTP/E/00001-PP/E/09999, PTP/F/00001-PTP/F/09999 |
| Produktionsjahr | 2023 |
| Zeichnung | 03-851000R-00 |
| Hersteller | Cmpny One Sp. z o.o., 42-674 Karchowice, PL |

Mit dieser Konformitätserklärung erklärt der Hersteller

| | |
|--------------------------------|---|
| Gegenstand der Deklaration | Warmwassererwärmer |
| Ort | Ummantelung |
| Max. erlaubter Druck PS | 2,3 bar |
| Max/min erlaubte Temperatur TS | 80 / 5 °C |
| Kapazität | 6.0 l |
| Substanz | Wasser |
| Flüssigkeitsgruppe | 2 |
| Prüfdruck PT | 4 bar |
| Prüfsubstanz | Wasser |
| Gefahrengruppe | Nicht relevant Art. 4. 3 gem 2014/68/EU |

Das oben beschriebene Produkt ist nach folgenden Direktiven hergestellt

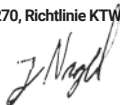
Richtlinie des europäischen Parlaments und Rates
2014/68/UE Niederspannungsrichtlinie 2006/95 / WE
Richtlinie über Altfahrzeuge 2000/53 / WE

Trinkwasserrichtlinie 98/83 / WE
Elektromagnetische Verträglichkeit 2014/130 / UE
(Kennzeichnungspflicht CE)

Verweis auf relevante harmonisierte Normen oder auf andere, technische Spezifikationen für die Konformität erklärt wird

EN 13445:2014
EN 60335-1
EN 60335-2-21
EN 55014;
Arbeitsblatt DVGW W270, Richtlinie KTW

CE



.....

Unterschrift für den Hersteller

Karchowice, 02.01.2023

.....
Ort und Datum der Erklärung

EU KONFORMITÄTSERLÄRUNG

| | |
|-----------------|--|
| Druckgerät | Wassererwärmer |
| Seriennummer | PTP/F/00001-PTP/F/09999, PTP/G/00001-PTP/G/09999, PTP/H/00001-PTP/H/09999 |
| Produktionsjahr | 2023 |
| Zeichnung | 04-851000R-00 |
| Hersteller | Cmpny One Sp. z o.o., 42-674 Karchowice, PL |

Mit dieser Konformitätserklärung erklärt der Hersteller

| | |
|--------------------------------|--|
| Gegenstand der Deklaration | Warmwassererwärmer |
| Ort | Ummantelung |
| Max. erlaubter Druck PS | 2,3 bar |
| Max/min erlaubte Temperatur TS | 80 / 5 °C |
| Kapazität | 9.0 l |
| Substanz | Wasser |
| Flüssigkeitsgruppe | 2 |
| Prüfdruck PT | 4 bar |
| Prüfsubstanz | Wasser |
| Gefahrengruppe | Nicht relevant Art. 4 . 3 gem 2014/68/EU |

Das oben beschriebene Produkt ist nach folgenden Direktiven hergestellt

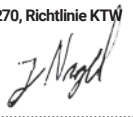
Richtlinie des europäischen Parlaments und Rates
2014/68/UE Niederspannungsrichtlinie 2006/95 / WE
Richtlinie über Altfahrzeuge 2000/53 / WE

Trinkwasserrichtlinie 98/83 / WE
Elektromagnetische Verträglichkeit 2014/130 / UE
(Kennzeichnungspflicht CE)

Verweis auf relevante harmonisierte Normen oder auf andere, technische Spezifikationen für die Konformität erklärt wird

EN 13445:2014
EN 60335-1
EN 60335-2-21
EN 55014;
Arbeitsblatt DVGW W270, Richtlinie KTW

CE



Unterschrift für den Hersteller

Karchowice, 02.01.2023

.....
Ort und Datum der Erklärung

EU KONFORMITÄTSERKLÄRUNG

| | |
|-----------------|---|
| Druckgerät | Wassererwärmer(zwei Heizstäben) |
| Seriennummer | PTP/D/00001-PTP/D/09999 , PTP/E/00001-PTP/E/09999 |
| Produktionsjahr | 2023 |
| Zeichnung | 02-851000R-00 |
| Hersteller | Cmpny One Sp. z o.o., 42-674 Karchowice, PL |

Mit dieser Konformitätserklärung erklärt der Hersteller

| | |
|--------------------------------|--|
| Gegenstand der Deklaration | Warmwassererwärmer |
| Ort | Ummantelung |
| Max .erlaubter Druck PS | 2.3 bar |
| Max/min erlaubte Temperatur TS | 80 / 5 °C |
| Kapazität | 3.0 l |
| Substanz | Wasser |
| Flüssigkeitsgruppe | 2 |
| Prüfdruck PT | 4 bar |
| Prüfsubstanz | Wasser |
| Gefahrengruppe | Nicht relevant Art. 4 . 3 gem 2014/68/EU |

Das oben beschriebene Produkt ist nach folgenden Direktiven hergestellt

Richtlinie des europäischen Parlaments und Rates
2014/68/UE Niederspannungsrichtlinie 2006/95 / WE
Richtlinie über Altfahrzeuge 2000/53 / WE

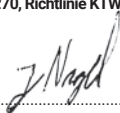
Trinkwasserrichtlinie 98/83 / WE
Elektromagnetische Verträglichkeit 2014/130 / UE
(Kennzeichnungspflicht CE)

Verweis auf relevante harmonisierte Normen oder auf andere, technische Spezifikationen für die Konformität erklärt wird

EN 13445;2014
EN 60335-1
EN 60335-2-21
EN 55014;
Arbeitsblatt DVGW W270, Richtlinie KTW

CE

Unterschrift für den Hersteller



.....

Karchowice,02.01.2023

Ort und Datum der Erklärung

EU KONFORMITÄTSERKLÄRUNG

| | |
|-----------------|---|
| Druckgerät | Wassererwärmer(zwei Heizstäben) |
| Seriennummer | PTP/I/00001-PTP/I/09999 , PTP/J/00001-PTP/J/09999 |
| Produktionsjahr | 2023 |
| Zeichnung | 03-851000R-00 |
| Hersteller | Cmpny One Sp. z o.o., 42-674 Karchowice, PL |

Mit dieser Konformitätserklärung erklärt der Hersteller

| | |
|--------------------------------|--|
| Gegenstand der Deklaration | Warmwassererwärmer |
| Ort | Ummantelung |
| Max .erlaubter Druck PS | 2.3 bar |
| Max/min erlaubte Temperatur TS | 80 / 5 °C |
| Kapazität | 6.0 l |
| Substanz | Wasser |
| Flüssigkeitsgruppe | 2 |
| Prüfdruck PT | 4 bar |
| Prüfsubstanz | Wasser |
| Gefahrengruppe | Nicht relevant Art. 4 . 3 gem 2014/68/EU |

Das oben beschriebene Produkt ist nach folgenden Direktiven hergestellt

Richtlinie des europäischen Parlaments und Rates
2014/68/UE Niederspannungsrichtlinie 2006/95 / WE
Richtlinie über Altfahrzeuge 2000/53 / WE

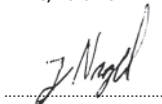
Trinkwasserrichtlinie 98/83 / WE
Elektromagnetische Verträglichkeit 2014/130 / UE
(Kennzeichnungspflicht CE)

Verweis auf relevante harmonisierte Normen oder auf andere, technische Spezifikationen für die Konformität erklärt wird

EN 13445;2014
EN 60335-1
EN 60335-2-21
EN 55014;
Arbeitsblatt DVGW W270, Richtlinie KTW

CE

Unterschrift für den Hersteller



Karchowice, 02.01.2023

Ort und Datum der Erklärung

EU KONFORMITÄTSERKLÄRUNG

| | |
|-----------------|---|
| Druckgerät | Wassererwärmer(zwei Heizstäben) |
| Seriennummer | PTP/N/00001-PTP/N/09999 , PTP/O/00001-PTP/O/09999 |
| Produktionsjahr | 2023 |
| Zeichnung | 04-851000R-00 |
| Hersteller | Cmpny One Sp. z o.o., 42-674 Karchowice, PL |

Mit dieser Konformitätserklärung erklärt der Hersteller

| | |
|--------------------------------|--|
| Gegenstand der Deklaration | Warmwassererwärmer |
| Ort | Ummantelung |
| Max .erlaubter Druck PS | 2.3 bar |
| Max/min erlaubte Temperatur TS | 80 / 5 °C |
| Kapazität | 9.0 l |
| Substanz | Wasser |
| Flüssigkeitsgruppe | 2 |
| Prüfdruck PT | 4 bar |
| Prüfsubstanz | Wasser |
| Gefahrengruppe | Nicht relevant Art. 4 . 3 gem 2014/68/EU |

Das oben beschriebene Produkt ist nach folgenden Direktiven hergestellt

Richtlinie des europäischen Parlaments und Rates
2014/68/UE Niederspannungsrichtlinie 2006/95 / WE
Richtlinie über Altfahrzeuge 2000/53 / WE

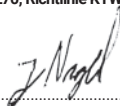
Trinkwasserrichtlinie 98/83 / WE
Elektromagnetische Verträglichkeit 2014/130 / UE
(Kennzeichnungspflicht CE)

Verweis auf relevante harmonisierte Normen oder auf andere, technische Spezifikationen für die Konformität erklärt wird

EN 13445:2014
EN 60335-1
EN 60335-2-21
EN 55014;
Arbeitsblatt DVGW W270, Richtlinie KTW

CE

Unterschrift für den Hersteller



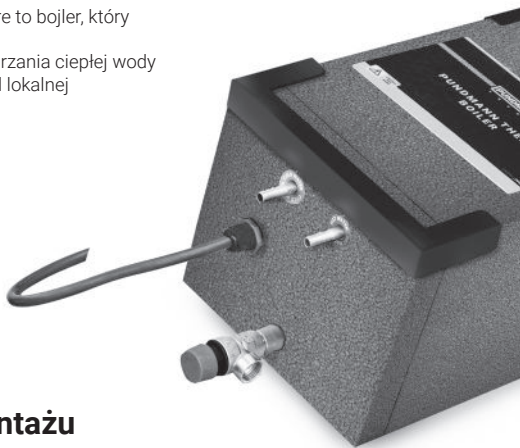
.....

Karchowice, 02.01.2023

Ort und Datum der Erklärung



Pundmann Therm Pressure to boiler, który został opracowany w celu wytwarzania ciepłej wody w pojeździe niezależnie od lokalnej infrastruktury elektrycznej.



Instrukcja montażu i użytkowania Therm Pressure Boiler

Modele

3L

6L

9L

3L/6L/9L- z dwoma grzałkami

| | | |
|----|---|----|
| 1. | Informacje ogólne..... | 20 |
| 2. | Zasady bezpieczeństwa | 21 |
| 3. | Transport, opakowanie oraz magazynowanie .. | 21 |
| 4. | Dane techniczne | 22 |
| 5. | Instrukcja montażu | 23 |
| 6. | Gwarancja..... | 24 |
| 7. | Deklaracja zgodności..... | 25 |

Kontakt:

Producent:
Cmpny One Sp. z o.o.,
Bytomska 49,
42-674 Karchowice.

info@protrailer.pl
www.protrailer24.pl

1. INFORMACJE OGÓLNE

1.1 INFORMACJE O INSTRUKCJI OBSŁUGI

Niniejsza instrukcja montażu i obsługi opisuje instalację i użytkowanie bojlera oraz służy jako ważne źródło informacji.

Znajomość wszystkich zawartych w niej wskazówek bezpieczeństwa jest warunkiem bezpiecznego, jak również długotrwałego użytkowania urządzenia.

Ponadto, należy przestrzegać lokalnych przepisów dotyczących zapobiegania wypadkom oraz ogólnych przepisów bezpieczeństwa obowiązujących na obszarze, w którym urządzenie jest użytkowane.

Instrukcja obsługi jest elementem wyposażenia i należy ją przechowywać w pobliżu bojlera.

1.2 OZNACZENIE

OSTRZEŻENIE

Ten symbol oznacza instrukcje, których zignorowanie może spowodować uszkodzenie, nieprawidłowe działanie i / lub awarię urządzenia.



UWAGA

Ten symbol wskazuje na potencjalny problem, dlatego należy zachować ostrożność.



WSKAZÓWKA

Ten symbol oznacza wskazówki i informacje, których należy przestrzegać, aby zapewnić wydajną i bezawaryjną pracę urządzenia.

1.3 ODPOWIEDZIALNOŚĆ ORAZ GWARANCJA

Wszystkie informacje oraz wskazówki zawarte w niniejszej instrukcji obsługi zostały opracowane zgodnie z obowiązującymi przepisami oraz zgodnie z naszą wiedzą.

W przypadku zamówień specjalnych lub braku komponentów na rynku, zakres dostawy może różnić się.

W razie jakichkolwiek pytań prosimy o kontakt z producentem.



WSKAZÓWKA

Należy zapoznać się z niniejszą instrukcją przed pierwszym użyciem bojlera.

W przypadku szkód oraz zakłóceń wynikających z nieprzestrzegania instrukcji, producent nie ponosi odpowiedzialności. Instrukcja powinna

znajdować się zawsze w pobliżu bojlera. Zastrzegamy sobie prawo do dalszego rozwoju oraz ewentualnych zmian technicznych w produkcie w ramach poprawy właściwości użytkowych.

1.4 DEKLARACJE ZGODNOŚCI

Pundmann Therm Pressure jest produkowany zgodnie ze standardami europejskimi: EN13445:2014 ; EN 60335-1; EN 60335-2-21 ; EN 55014 ; Arkusz roboczy DVGW W270 ; Wytyczne KTW

2. ZASADY BEZPIECZEŃSTWA

Ta sekcja zawiera przegląd zagadnień dotyczących bezpieczeństwa. Ponadto, wszelkie oznaczenia oraz symbole znajdujące się na samym urządzeniu. Chroń urządzenie oraz samego siebie.

2.1 OGÓLNE ZASADY BEZPIECZEŃSTWA

Urządzenie jest wykonane zgodnie z obowiązującymi dyrektywami i normami dotyczącymi bezpieczeństwa. Zabronione jest wprowadzanie jakichkolwiek zmian w urządzeniu przez użytkownika, chyba że zostanie to potwierdzone w punkcie sprzedaży.

2.2 DEDYKOWANE ZASADY BEZPIECZEŃSTWA DLA BOJLERA

Informacje dotyczące bezpieczeństwa obsługi bojlera odnoszą się do dyrektyw uni europejskiej obowiązujących w momencie produkcji urządzenia.



UWAGA

Bojler nie jest przeznaczony i dozwolony do inny zastosowań. Producent i / lub jego upoważniony przedstawiciel nie ponosi odpowiedzialności za szkody powstałe w wyniku niewłaściwego użytkowania urządzenia.

Za wszelkie szkody powstałe w przypadku nieprawidłowego użytkowania odpowiedzialność ponosi jedynie operator urządzenia.

2.3 ZASTOSOWANIE

Bojler służy tylko do podgrzewania wody. Temperaturę wody można regulować za pomocą dodatkowych urządzeń.



UWAGA

Bojler nie może być obsługiwany przez osoby nieupoważnione oraz nieletnie. Zaleca się, zapoznanie z instrukcją przed montażem.

3. TRANSPORT, OPAKOWANIE ORAZ MAGAZYNOWANIE

3.1 TRANSPORT

Dostawy należy weryfikować niezwłocznie po ich otrzymaniu. Konieczne jest sprawdzenie kompletności i zweryfikowanie ewentualnych uszkodzeń transportowych. W przypadku widocznych z zewnątrz uszkodzeń transportowych dostawa nie jest akceptowana do przyjęcia lub akceptowalna z zastrzeżeniem. Zakres uszkodzeń należy sporządzić na dokumentach przewozowych/ dowód dostawy od przewoźnika oraz złożyć reklamację. Po stwierdzeniu usterki ważne jest niezwłoczne złożenie reklamacji. Istotny jest termin złożenia roszczenia o odszkodowanie..

3.2 OPAKOWANIE

Nie wyrzucaj zewnętrznego opakowania urządzenia.

Możesz go potrzebować do przechowywania, lub w przypadku zwrotu, aby móc go odesłać.



WSKAZÓWKA

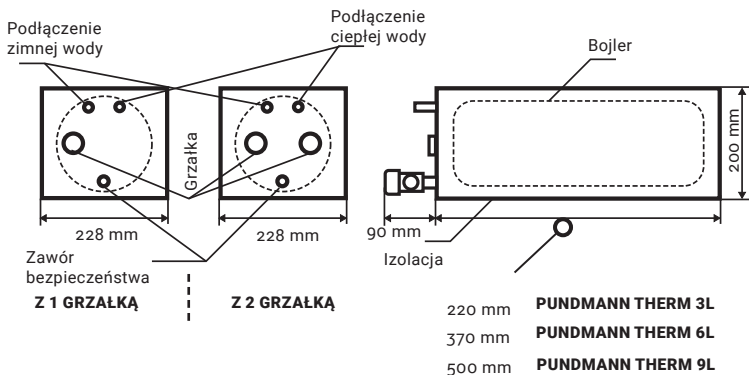
Jeśli chcesz zutilizować opakowanie, zwróć uwagę na obowiązujące w Twoim kraju przepisy prawne.

Uruchom recykling materiałów opakowaniowych. Sprawdź, czy urządzenie i akcesoria są kompletne.

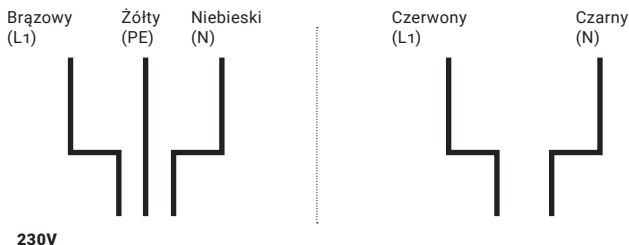
Jeśli brakuje jakichkolwiek części skontaktuj się ze sprzedawcą.

4. DANE TECHNICZNE

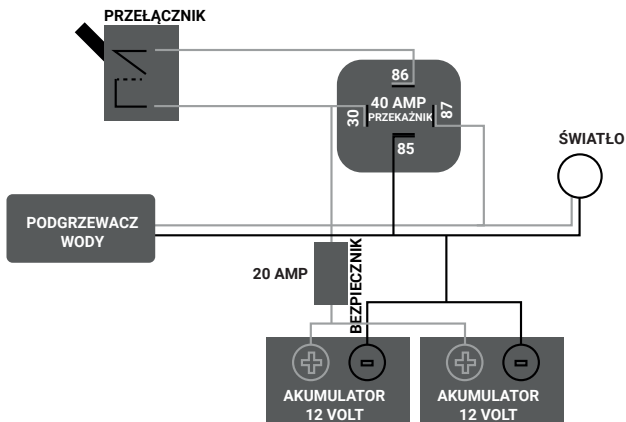
4.1 WYMIARY BOJLERA PUNDMANN THERM



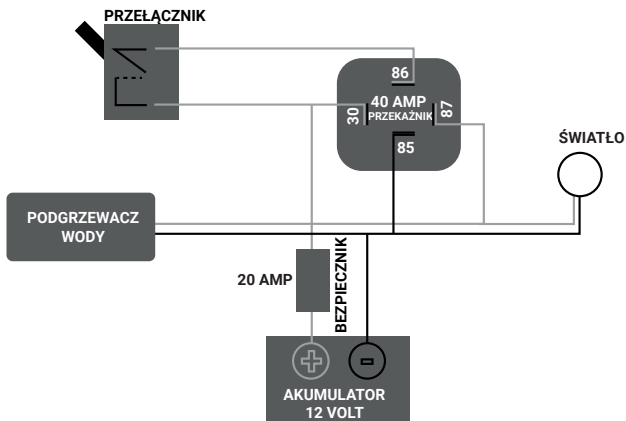
4.1.3 SCHEMAT ELEKTRYCZNY



4.1_1_1 SCHEMAT ELEKTRYCZNY 24V



4.1_1_1 SCHEMAT ELEKTRYCZNY 12 V



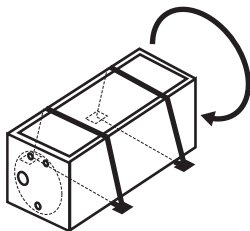
4.2 SPECYFIKACJA TECHNICZNA:

- Bojler o pojemności 3l, 6l, 9.9l, 15 l
- Zasilanie 230V, 12V i 24V
- Rekomendowane ciśnienie robocze do 2,3 bar
- Czas podgrzewania 50min - 120min
- Podłączenie wody
- Mocowanie bojlera przy użyciu plastikowego kątownika wraz z zestawem do szybkiego montażu lub metalowej osłony firmy Pundmann albo alternatywnej metody.

5. INSTRUKCJA MONTAŻU

5.1 POZYCJA

Bojler należy zawsze montować poziomo.



Bojler montujemy za pomocą dwóch plastikowych kątowników 2szt, opaski zaciskowej 2szt. oraz uchwytów mocujący z otworem $\varnothing 5\text{mm}$ 4szt.

5.2 WODA

Zawór bezpieczeństwa jest konieczny, aby uniknąć zbyt wysokiego ciśnienia w bojlerze. Bojler jest standardowo wyposażony w zawór bezpieczeństwa. Do zaworu bezpieczeństwa można podłączyć przewód odprowadzający wodę. Zawór zabezpiecza przez wzrostem ciśnienia powyżej 3 bara. Nie należy dostarczać świeżej wody do bojlera o ciśnieniu wyższym niż 2,3 bara. Jeśli to konieczne, należy obniżyć ciśnienie poprzez zastosowanie reduktora ciśnienia, który można nabyć u producenta bojlera. Przewody powinny mieć średnicę wewnętrzną 10mm oraz powinny być odporne na zmiany ciśnienia, temperatury, uderzenia, korozję oraz warunki atmosferyczne.

OSTRZEŻENIE

Woda znajdująca się w bojlerze ogrzana przez grzałkę elektryczną posiada bardzo wysoką temperaturę - istnieje ryzyko poparzenia. Bojler należy opróżnić jedynie jeżeli jest odłączony od zasilania.

5.3 PIERWSZE UŻYCIE

Po podłączeniu przewodów można uruchomić pompę wodną. Bojler jest całkowicie napełniony, gdy woda przelewa się z króćca ciepłej wody.

WSKAZÓWKA

Bojler może być eksploatowany wyłącznie z wodą pitną

5.4 FUNKCJA OGRZEWANIA ELEKTRYCZNEGO

Wbudowana grzałka elektryczna podgrzewa wodę powyżej 70°C , reguluje się automatycznie i wyłącza się po osiągnięciu tej temperatury. Grzałkę elektryczną należy włączać tylko wtedy, gdy bojler jest wypełniony wodą. Grzałka posiada parametry techniczne : 230V-500W, 24V-400W, 12V-200W, 110V-500W(3L bojler : 230 V-250W i 12V-180W) w standardowych wersjach

OSTRZEŻENIE

Zagrożenie poparzeniem.

Grzałka nabiera wysokiej temperatury, jej dotknięcie może prowadzić do obrażeń.

5.5 OPRÓŻNIANIE BOJLERA

Jeśli bojler nie jest używany przez dłuższy czas (przerwa zimowa itp.) należy opróżnić bojler z wody. Przed opróżnieniem należy odłączyć bojler od obwodu elektrycznego. Bojler opróżniamy przez otwarcie zaślepki oraz otwarciu kurka z kranu lub prysznica tak, aby obieg w którym, znajduje się woda instalacji bojlera był otwarty. Zaślepkę pozostawiamy otwartą do ponownego uruchomienia.

5.6 INSTALACJA BOJLERA W ZESTAWIE

Bojler wraz z całym zestawem można zamontować w pojeździe korzystając z podzespołów oferowanych przez producenta. Sprawdzone komponenty i akcesoria można znaleźć na stronie producenta www.protrailer24.com Schemat instalacji bojlera z ogrzewaniem przedstawiono na poniższym rysunku.



UWAGA

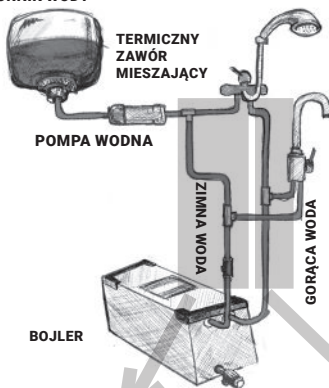
W przypadku spadku temperatury poniżej 0 °C woda może nieodwracalnie zniszczyć bojlera. Producent nie przyjmuje żadnej gwarancji lub odpowiedzialności za szkody spowodowane mrozem!



UWAGA

Bojler należy opróżnić jedynie jeżeli jest odłączony od zasilania.

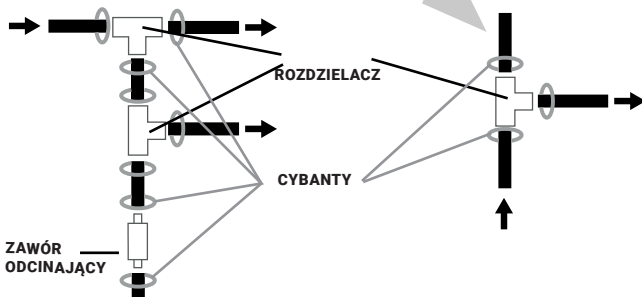
ZBIORNIK WODY



6. GWARANCJA

Urządzenie posiada 2-letnią gwarancję producenta na wady produktu liczoną od momentu dostawy. Wyklucza się z tego wszelkie szkody spowodowane mrozem lub zakamienieniem, a także inne spowodowane modyfikacjami w urządzeniu i błędami użytkownika. Wymiana grzałki przez klienta nie kończy gwarancji.

W przypadku gwarancji producent przyjmie roszczenie reklamacyjne, ale tylko wtedy, gdy uszkodzenie zostanie zgłoszone niezwłocznie, a dokumenty, dowód reklamacji itp. wymagane do rozpatrzenia gwarancji są kompletne, a postępowanie zostało uzgodnione z producentem.



DEKLARACJA ZGODNOŚCI UE

Urządzenie ciśnieniowe: **Podgrzewacz wody 3L**
Nr fabryczny: **PTP/A/00001-PTP/A/09999, PTP/B/00001-PP/B/09999,
PTP/C/00001-PTP/C/09999**
Rok produkcji: **2023**
Rysunek **02-851000R-00**
Nazwa i adres producenta: **Cmpny One Sp. z o.o., 42-674 Karchowice, PL**

Niniejsza deklaracja zgodności wydana zostaje na wyłączną odpowiedzialność producenta

| | |
|--------------------------------------|----------------------------|
| Przedmiot deklaracji: | Podgrzewacz wody 3l |
| Przestrzeń | Płaszczka |
| Max .dopuszczalne ciśnienie PS: | 2,3 bar |
| Max/min temperatura dopuszczalna TS: | 80 / 5 0C |
| Pojemność | 3.0 l |
| Medium | Woda |
| Grupa płynów: | 2 |
| Ciśnienie próbne PT | 4 bar |
| Medium próbne: | Woda |
| Kategoria zagrożeń: | brak wg 2014/68/WE |

Opisany powyżej przedmiot niniejszej deklaracji zgodności jest zgodny z odpowiednimi wymaganiami unijnego prawodawstwa

**Dyrektywa Parlamentu Europejskiego i Rady 2014/68/UE
Dyrektywa niskonapięciowa 2006/95 / WE
Dyrektywa dotycząca pojazdów wycofanych z eksploatacji
2000/53 / WE
Dyrektywa dotycząca wody pitnej 98/83 / WE
Kompatybilność elektromagnetyczna 2014/130 / UE
(Obowiązek znakowania znakiem CE)**

Odniesienie do odpowiednich norm zharmonizowanych, które zastosowano lub do innych specyfikacji technicznych w stosunku do których deklarowana jest zgodność

**EN 13445;2014
EN 60335-1
EN 60335-2-21
EN 55014;
Arkuszy roboczy DVGW W270, wytyczne KTW**

CE

Podpisano w imieniu producenta:

Karchowice, 02.01.2023
.....

Miejscowość i data wystawienia deklaracji

DEKLARACJA ZGODNOŚCI UE

Urządzenie ciśnieniowe: **Podgrzewacz wody 6L**
Nr fabryczny: **PTP/D/00001-PTP/D/09999, PTP/E/00001-PP/E/09999,
PTP/F/00001-PTP/F/09999**
Rok produkcji: **2023**
Rysunek **03-851000R-00**
Nazwa i adres producenta: **Cmpny One Sp. z o.o., 42-674 Karchowice, PL**

Niniejsza deklaracja zgodności wydana zostaje na wyłączną odpowiedzialność producenta

| | |
|--------------------------------------|--------------------------------|
| Przedmiot deklaracji: | Podgrzewacz wody 6l |
| Przeźrzeń | Płaszczka |
| Max .dopuszczalne ciśnienie PS: | 2,3 bar |
| Max/min temperatura dopuszczalna TS: | 80 / 5 0C |
| Pojemność | 6.0 l |
| Medium | Woda |
| Grupa płynów: | 2 |
| Ciśnienie próbne PT | 4 bar |
| Medium próbne: | Woda |
| Kategoria zagrożień: | brak wg 2014/68/WE |

Opisany powyżej przedmiot niniejszej deklaracji zgodności jest zgodny z odpowiednimi wymaganiami unijnego prawodawstwa

**Dyrektywa Parlamentu Europejskiego i Rady 2014/68/UE
Dyrektywa niskonapięciowa 2006/95 / WE
Dyrektywa dotycząca pojazdów wycofanych z eksploatacji 2000/53 / WE
Dyrektywa dotycząca wody pitnej 98/83 / WE
Kompatybilność elektromagnetyczna 2014/130 / UE
(Obowiązek znakowania znakiem CE)**

Odniesienie do odpowiednich norm zharmonizowanych, które zastosowano lub do innych specyfikacji technicznych w stosunku do których deklarowana jest zgodność

**EN 13445;2014
EN 60335-1
EN 60335-2-21
EN 55014;
Arkusze robocze DVGW W270, wytyczne KTW**

CE

Podpisano w imieniu producenta:

Karchowice, 02.01.2023

.....
Miejscowość i data wystawienia deklaracji

DEKLARACJA ZGODNOŚCI UE

Urządzenie ciśnieniowe: **Podgrzewacz wody 9L**
Nr fabryczny: **PTP/F/00001-PTP/F/09999, PTP/G/00001-PTP/G/09999,
PTP/H/00001-PTP/H/09999**
Rok produkcji: **2023**
Rysunek **04-851000R-00**
Nazwa i adres producenta: **Cmpny One Sp. z o.o., 42-674 Karchowice, PL**

Niniejsza deklaracja zgodności wydana zostaje na wyłączną odpowiedzialność producenta

| | |
|--------------------------------------|----------------------------|
| Przedmiot deklaracji: | Podgrzewacz wody 9l |
| Przestrzeń | Płaszczka |
| Max .dopuszczalne ciśnienie PS: | 2,3 bar |
| Max/min temperatura dopuszczalna TS: | 80 / 5 0C |
| Pojemność | 9.0 l |
| Medium | Woda |
| Grupa płynów: | 2 |
| Ciśnienie próbne PT | 4 bar |
| Medium próbne: | Woda |
| Kategoria zagrożeń: | brak wg 2014/68/WE |

Opisany powyżej przedmiot niniejszej deklaracji zgodności jest zgodny z odpowiednimi wymaganiami unijnego prawodawstwa

**Dyrektywa Parlamentu Europejskiego i Rady 2014/68/UE
Dyrektywa niskonapięciowa 2006/95 / WE
Dyrektywa dotycząca pojazdów wycofanych z eksploatacji 2000/53 / WE
Dyrektywa dotycząca wody pitnej 98/83 / WE
Kompatybilność elektromagnetyczna 2014/130 / UE
(Obowiązek znakowania znakiem CE)**

Odniesienie do odpowiednich norm zharmonizowanych, które zastosowano lub do innych specyfikacji technicznych w stosunku do których deklarowana jest zgodność

**EN 13445;2014
EN 60335-1
EN 60335-2-21
EN 55014;
Arkusze robocze DVGW W270, wytyczne KTW**

CE

Podpisano w imieniu producenta:

Karchowice, 02.01.2023
.....

Miejscowość i data wystawienia deklaracji

DEKLARACJA ZGODNOŚCI UE

Urządzenie ciśnieniowe: **Podgrzewacz wody 3L (2 grzałki)**
Nr fabryczny: **PTP/D/00001-PTP/D/09999 , PTP/E/00001-PTP/E/09999**
Rok produkcji: **2023**
Rysunek **02-851000R-00**
Nazwa i adres producenta: **Cmpny One Sp. z o.o., 42-674 Karchowice, PL**

Niniejsza deklaracja zgodności wydana zostaje na wyłączną odpowiedzialność producenta

| | |
|--------------------------------------|--------------------------------|
| Przedmiot deklaracji: | Podgrzewacz wody 3l |
| Przestrzeń | Płaszczka |
| Max .dopuszczalne ciśnienie PS: | 2.3 bar |
| Max/min temperatura dopuszczalna TS: | 80 / 5 0C |
| Pojemność | 3.0 l |
| Medium | Woda |
| Grupa płynów: | 2 |
| Ciśnienie próbne PT | 4 bar |
| Medium próbne: | Woda |
| Kategoria zagrożeń: | brak wg 2014/68/WE |

Opisany powyżej przedmiot niniejszej deklaracji zgodności jest zgodny z odpowiednimi wymaganiami unijnego prawodawstwa

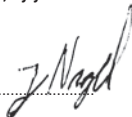
Dyrektywa Parlamentu Europejskiego i Rady 2014/68/UE
Dyrektywa niskonapięciowa 2006/95 / WE
Dyrektywa dotycząca pojazdów wycofanych z eksploatacji 2000/53 / WE
Dyrektywa dotycząca wody pitnej 98/83 / WE
Kompatybilność elektromagnetyczna 2014/130 / UE
(Obowiązek znakowania znakiem CE)

Odniesienie do odpowiednich norm zharmonizowanych, które zastosowano lub do innych specyfikacji technicznych w stosunku do których deklarowana jest zgodność

EN 13445;2014
EN 60335-1
EN 60335-2-21
EN 55014;
Arkuszy roboczy DVGW W270, wytyczne KTW

CE

Podpisano w imieniu producenta:



Karchowice, 02.01.2023

Miejscowość i data wystawienia deklaracji

DEKLARACJA ZGODNOŚCI UE

Urządzenie ciśnieniowe: **Podgrzewacz wody 6L (2 grzałki)**
Nr fabryczny: **PTP/I/00001-PTP/I/09999 , PTP/J/00001-PTP/J/09999**
Rok produkcji: **2023**
Rysunek **03-851000R-00**
Nazwa i adres producenta: **Cmpny One Sp. z o.o., 42-674 Karchowice, PL**

Niniejsza deklaracja zgodności wydana zostaje na wyłączną odpowiedzialność producenta

| | |
|--------------------------------------|----------------------------|
| Przedmiot deklaracji: | Podgrzewacz wody 6l |
| Przeznaczeń | Płaszczca |
| Max .dopuszczalne ciśnienie PS: | 2.3 bar |
| Max/min temperatura dopuszczalna TS: | 80 / 5 0C |
| Pojemność | 6.0 l |
| Medium | Woda |
| Grupa płynów: | 2 |
| Ciśnienie próbne PT | 4 bar |
| Medium próbne: | Woda |
| Kategoria zagrożeń: | brak wg 2014/68/WE |

Opisany powyżej przedmiot niniejszej deklaracji zgodności jest zgodny z odpowiednimi wymaganiami unijnego prawodawstwa

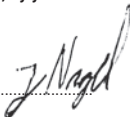
Dyrektywa Parlamentu Europejskiego i Rady 2014/68/UE
Dyrektywa niskonapięciowa 2006/95 / WE
Dyrektywa dotycząca pojazdów wycofanych z eksploatacji 2000/53 / WE
Dyrektywa dotycząca wody pitnej 98/83 / WE
Kompatybilność elektromagnetyczna 2014/130 / UE
(Obowiązek znakowania znakiem CE)

Odniesienie do odpowiednich norm zharmonizowanych, które zastosowano lub do innych specyfikacji technicznych w stosunku do których deklarowana jest zgodność

EN 13445;2014
EN 60335-1
EN 60335-2-21
EN 55014;
Arkuszy roboczy DVGW W270, wytyczne KTW

CE

Podpisano w imieniu producenta:



Karchowice, 02.01.2023

Miejscowość i data wystawienia deklaracji

DEKLARACJA ZGODNOŚCI UE

Urządzenie ciśnieniowe: **Podgrzewacz wody 9L (2 grzałki)**
Nr fabryczny: **PTP/N/00001-PTP/N/09999, PTP/O/00001-PTP/O/09999**
Rok produkcji: **2023**
Rysunek: **04-851000R-00**
Nazwa i adres producenta: **Cmpny One Sp. z o.o., 42-674 Karchowice, PL**

Niniejsza deklaracja zgodności wydana zostaje na wyłączną odpowiedzialność producenta

| | |
|--------------------------------------|----------------------------|
| Przedmiot deklaracji: | Podgrzewacz wody 9l |
| Przestrzeń | Płaszczka |
| Max .dopuszczalne ciśnienie PS: | 2.3 bar |
| Max/min temperatura dopuszczalna TS: | 80 / 5 0C |
| Pojemność | 9.0 l |
| Medium | Woda |
| Grupa płynów: | 2 |
| Ciśnienie próbne PT | 4 bar |
| Medium próbne: | Woda |
| Kategoria zagrożeń: | brak wg 2014/68/WE |

Opisany powyżej przedmiot niniejszej deklaracji zgodności jest zgodny z odpowiednimi wymaganiami unijnego prawodawstwa

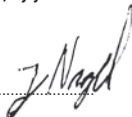
**Dyrektywa Parlamentu Europejskiego i Rady 2014/68/UE
Dyrektywa niskonapięciowa 2006/95 / WE
Dyrektywa dotycząca pojazdów wycofanych z eksploatacji 2000/53 / WE
Dyrektywa dotycząca wody pitnej 98/83 / WE
Kompatybilność elektromagnetyczna 2014/130 / UE
(Obowiązek znakowania znakiem CE)**

Odniesienie do odpowiednich norm zharmonizowanych, które zastosowano lub do innych specyfikacji technicznych w stosunku do których deklarowana jest zgodność

**EN 13445;2014
EN 60335-1
EN 60335-2-21
EN 55014;
Arkuszy roboczy DVGW W270, wytyczne KTW**

CE

Podpisano w imieniu producenta:



Karchowice, 02.01.2023

Miejscowość i data wystawienia deklaracji



T H E R M

Contact:

Cmpny One Sp. z oo,
Bytomska 49,
42-674 Karchowice, Poland

info@protrailer.pl
www.protrailer24.pl