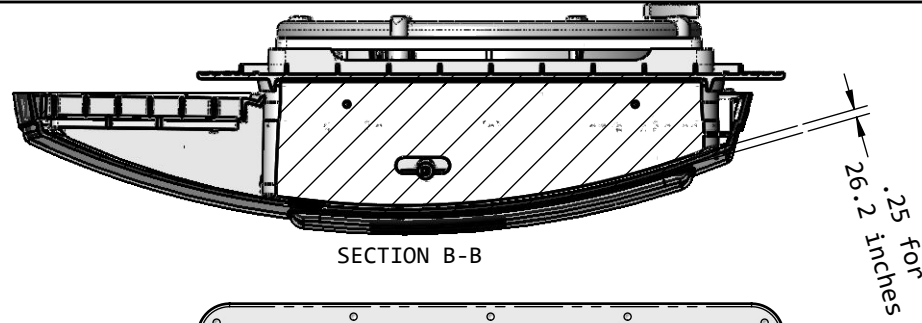
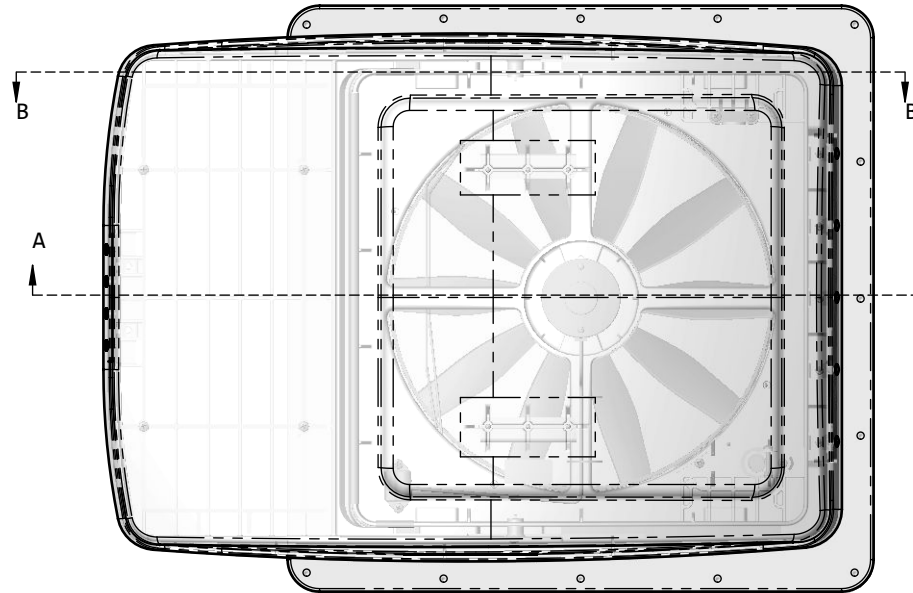


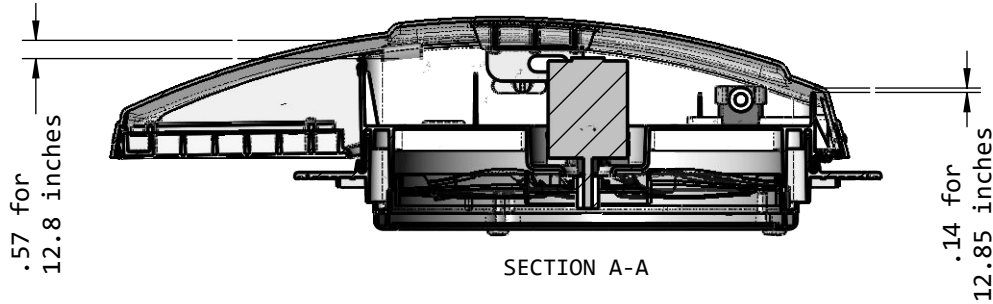
TOTAL AREA:  
 CUTOUT ON BACKWALL .57 x 12.8  
 FRONT OF FAN .14 x 12.85  
 2 SIDE WALLS OF FAN .25 x 26.2  
 TOTAL: 15.645 sq in  
 10,098 sq mm  
 62.73 sq cm



SECTION B-B



SECTION A-A



MAXXFAN DELUXE  
 INTERNATIONAL  
 PASSIVE VENTILATION

REF. DWS.	TOLERANCES	NON-CUMULATIVE
.X	± .1	NON-CUMULATIVE
.XX	± .05	
.XXX	± .025	
ANGULAR	± 3°	
HOLES ± .003 DIA.		
FRACTIONAL	± 1/32	

UNLESS OTHERWISE SPECIFIED

Ⓐ DIM. TO TANGENT POINT	Ⓕ FLUSH WITHIN
Ⓑ DIM. TO INSIDE MOLD LINE	Ⓖ SPOTWELD
Ⓒ DIM. TO OUTSIDE MOLD LINE	Ⓗ BEND RADIUS:

PROJECTION - ALL DIMENSIONS IN INCHES - DO NOT SCALE PRINT

MATERIAL

FINISH SPEC.

NAME  
**MAXXFAN DELUXE INTNL**

NO.	REV	SHT.
ECO		
DRAWING CHANGES		
LTR	DATE	BY
		CHKD
<b>RV PRODUCTS</b> DIVISION OF <b>AIRXCEL INCORPORATED</b> <b>WICHITA, KANSAS</b>		
SCALE	DATE	DRAWN
	07-28-20	JEANNE
		CHECKED
		APPROVED
NO.		REV